



# TONI V3

## Downlight

### Standard

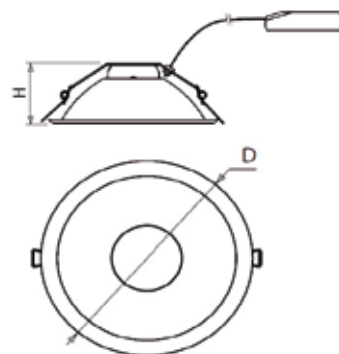
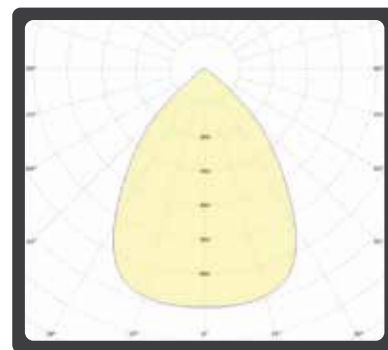


### Options



TONI V3 W - WHITE COLLAR
TONI V3 B - BLACK COLLAR
D150-M - MATT REFLECTOR
D150-G - GLOSSY REFLECTOR
D200-M - MATT REFLECTOR
D200-G - GLOSSY REFLECTOR
N - NARROW DIFFUSER
M - MEDIUM DIFFUSER
W - WIDE DIFFUSER
ML - MULTILUMEN DRIVER

	H	D
TONI V3 W/B D150-M/G N/M/W	82	186
TONI V3 W/B D200-M/G N/M/W	100	236



TYPE	CRI	CCT	Flux (lm)	Total Power (W)	Efficacy (lm/W)	Ta	WEIGHT (kg)	unit /cart	unit /palet
TONI V3 W-D150-M N-830 ML:775-1475LM	80	3000	775-1475	6.1-11.5	128	-10°C / +40°C	0.4	1	250
TONI V3 W-D150-M N-840 ML:800-1550LM	80	4000	800-1550	6.1-11.5	134	-10°C / +40°C	0.4	1	250
TONI V3 W-D150-M M-830 ML:775-1475LM	80	3000	775-1475	6.1-11.5	128	-10°C / +40°C	0.4	1	250
TONI V3 W-D150-M M-840 ML:800-1550LM	80	4000	800-1550	6.1-11.5	134	-10°C / +40°C	0.4	1	250
TONI V3 W-D150-M W-830 ML:775-1475LM	80	3000	775-1475	6.1-11.5	128	-10°C / +40°C	0.4	1	250
TONI V3 W-D150-M W-840 ML:800-1550LM	80	4000	800-1550	6.1-11.5	134	-10°C / +40°C	0.4	1	250
TONI V3 W-D150-G N-830 ML:825-1575LM	80	3000	825-1575	6.1-11.5	137	-10°C / +40°C	0.4	1	250
TONI V3 W-D150-G N-840 ML:850-1650LM	80	4000	850-1650	6.1-11.5	143	-10°C / +40°C	0.4	1	250
TONI V3 W-D150-G M-830 ML:825-1575LM	80	3000	825-1575	6.1-11.5	137	-10°C / +40°C	0.4	1	250
TONI V3 W-D150-G M-840 ML:850-1650LM	80	4000	850-1650	6.1-11.5	143	-10°C / +40°C	0.4	1	250
TONI V3 W-D150-G W-830 ML:825-1575LM	80	3000	825-1575	6.1-11.5	137	-10°C / +40°C	0.4	1	250
TONI V3 W-D150-G W-840 ML:850-1650LM	80	4000	850-1650	6.1-11.5	143	-10°C / +40°C	0.4	1	250
TONI V3 B-D150-M N-830 ML:775-1475LM	80	3000	775-1475	6.1-11.5	128	-10°C / +40°C	0.4	1	250
TONI V3 B-D150-M N-840 ML:800-1550LM	80	4000	800-1550	6.1-11.5	134	-10°C / +40°C	0.4	1	250
TONI V3 B-D150-M M-830 ML:775-1475LM	80	3000	775-1475	6.1-11.5	128	-10°C / +40°C	0.4	1	250
TONI V3 B-D150-M M-840 ML:800-1550LM	80	4000	800-1550	6.1-11.5	134	-10°C / +40°C	0.4	1	250
TONI V3 B-D150-M W-830 ML:775-1475LM	80	3000	775-1475	6.1-11.5	128	-10°C / +40°C	0.4	1	250
TONI V3 B-D150-M W-840 ML:800-1550LM	80	4000	800-1550	6.1-11.5	134	-10°C / +40°C	0.4	1	250
TONI V3 B-D150-G N-830 ML:825-1575LM	80	3000	825-1575	6.1-11.5	137	-10°C / +40°C	0.4	1	250
TONI V3 B-D150-G N-840 ML:850-1650LM	80	4000	850-1650	6.1-11.5	143	-10°C / +40°C	0.4	1	250
TONI V3 B-D150-G M-830 ML:825-1575LM	80	3000	825-1575	6.1-11.5	137	-10°C / +40°C	0.4	1	250
TONI V3 B-D150-G M-840 ML:850-1650LM	80	4000	850-1650	6.1-11.5	143	-10°C / +40°C	0.4	1	250
TONI V3 B-D150-G W-830 ML:825-1575LM	80	3000	825-1575	6.1-11.5	137	-10°C / +40°C	0.4	1	250
TONI V3 B-D150-G W-840 ML:850-1650LM	80	4000	850-1650	6.1-11.5	143	-10°C / +40°C	0.4	1	250





# TONI V3

Downlight

## Standard

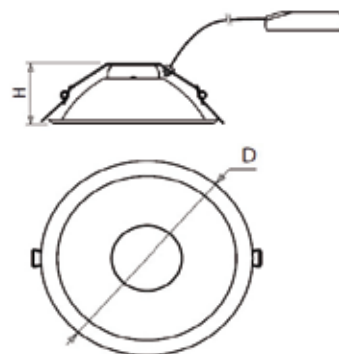
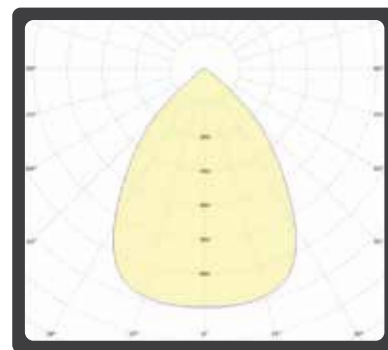


## Options



TONI V3 W - WHITE COLLAR
TONI V3 B - BLACK COLLAR
D150-M - MATT REFLECTOR
D150-G - GLOSSY REFLECTOR
D200-M - MATT REFLECTOR
D200-G - GLOSSY REFLECTOR
N - NARROW DIFFUSER
M - MEDIUM DIFFUSER
W - WIDE DIFFUSER
ML - MULTILUMEN DRIVER

	H	D
TONI V3 W/B D150-M/G N/M/W	82	186
TONI V3 W/B D200-M/G N/M/W	100	236



TYPE	CRI	CCT	Flux (lm)	Total Power(W)	Efficacy lm/W	Ta	WEIGHT kg	unit /cart	unit /palet
TONI V3 W-D200-M N-830 ML:1575-2475LM	80	3000	1575-2475	11.5-19.1	151	-10°C / +40°C	0.5	1	130
TONI V3 W-D200-M N-840 ML:1650-2600LM	80	4000	1650-2600	11.5-19.1	173	-10°C / +40°C	0.5	1	130
TONI V3 W-D200-M M-830 ML:1575-2475LM	80	3000	1575-2475	11.5-19.1	137	-10°C / +40°C	0.5	1	130
TONI V3 W-D200-M M-840 ML:1650-2600LM	80	4000	1650-2475	11.5-19.1	143	-10°C / +40°C	0.5	1	130
TONI V3 W-D200-M W-830 ML:1575-2475LM	80	3000	1575-2475	11.5-19.1	137	-10°C / +40°C	0.5	1	150
TONI V3 W-D200-M W-840 ML:1650-2600LM	80	4000	1650-2600	11.5-19.1	143	-10°C / +40°C	0.5	1	150
TONI V3 W-D200-G N-830 ML:1625-2575LM	80	3000	1625-2575	11.5-19.1	141	-10°C / +40°C	0.5	1	130
TONI V3 W-D200-G N-840 ML:1700-2700LM	80	4000	1700-2700	11.5-19.1	148	-10°C / +40°C	0.5	1	130
TONI V3 W-D200-G M-830 ML:1625-2575LM	80	3000	1625-2575	11.5-19.1	141	-10°C / +40°C	0.5	1	130
TONI V3 W-D200-G M-840 ML:1700-2700LM	80	4000	1700-2700	11.5-19.1	148	-10°C / +40°C	0.5	1	130
TONI V3 W-D200-G W-830 ML:1625-2575LM	80	3000	1625-2575	11.5-19.1	141	-10°C / +40°C	0.5	1	150
TONI V3 W-D200-G W-840 ML:1700-2700LM	80	4000	1700-2700	11.5-19.1	148	-10°C / +40°C	0.5	1	150
TONI V3 B-D200-M N-830 ML:1575-2475LM	80	3000	1575-2475	11.5-19.1	137	-10°C / +40°C	0.5	1	130
TONI V3 B-D200-M N-840 ML:1650-2600LM	80	4000	1650-2600	11.5-19.1	143	-10°C / +40°C	0.5	1	130
TONI V3 B-D200-M M-830 ML:1575-2475LM	80	3000	1575-2475	11.5-19.1	137	-10°C / +40°C	0.5	1	130
TONI V3 B-D200-M M-840 ML:1650-2600LM	80	4000	1650-2600	11.5-19.1	143	-10°C / +40°C	0.5	1	130
TONI V3 B-D200-M W-830 ML:1575-2475LM	80	3000	1575-2475	11.5-19.1	137	-10°C / +40°C	0.5	1	150
TONI V3 B-D200-M W-840 ML:1650-2600LM	80	4000	1650-2600	11.5-19.1	143	-10°C / +40°C	0.5	1	150
TONI V3 B-D200-G N-830 ML:1625-2575LM	80	3000	1625-2575	11.5-19.1	141	-10°C / +40°C	0.5	1	130
TONI V3 B-D200-G N-840 ML:1700-2700LM	80	4000	1700-2700	11.5-19.1	148	-10°C / +40°C	0.5	1	130
TONI V3 B-D200-G M-830 ML:1625-2575LM	80	3000	1625-2575	11.5-19.1	141	-10°C / +40°C	0.5	1	130
TONI V3 B-D200-G M-840 ML:1700-2700LM	80	4000	1700-2700	11.5-19.1	148	-10°C / +40°C	0.5	1	130
TONI V3 B-D200-G W-830 ML:1625-2575LM	80	3000	1625-2575	11.5-19.1	141	-10°C / +40°C	0.5	1	150
TONI V3 B-D200-G W-840 ML:1700-2700LM	80	4000	1700-2700	11.5-19.1	148	-10°C / +40°C	0.5	1	150